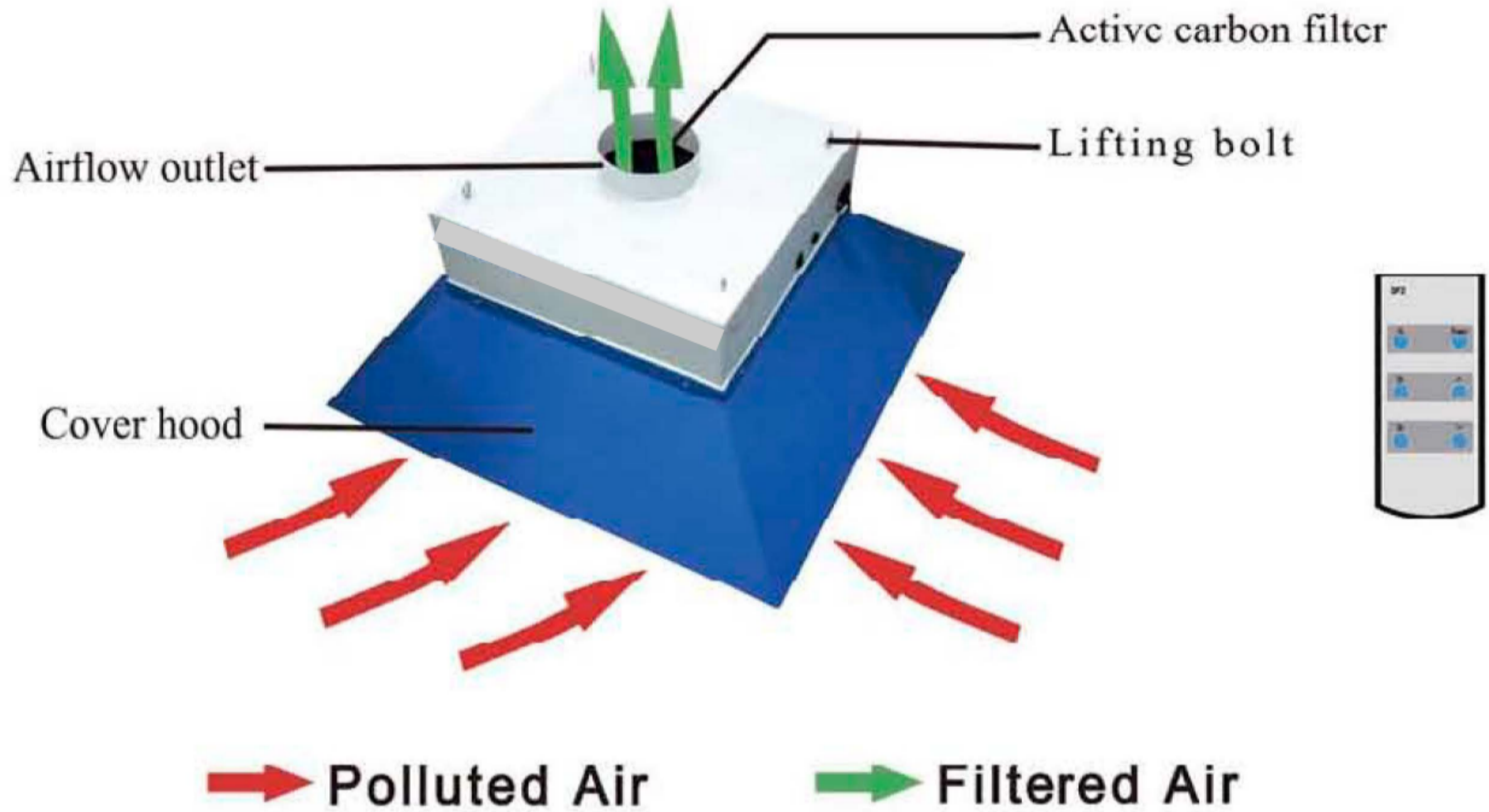
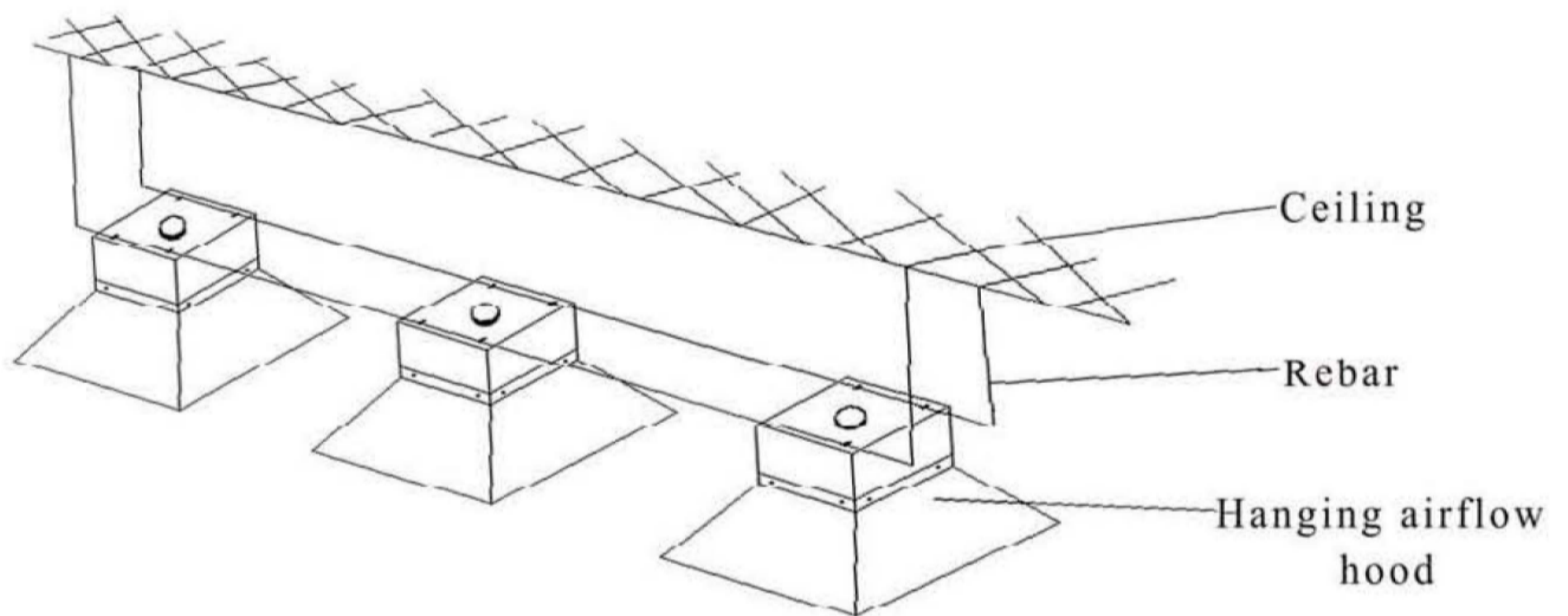


Hanging Airflow Hood

Hanging airflow hood is used to handle major fumes and solvent emissions. It also allows the work surface to remain completely free of obstacles.



Installation Instruction:



Dimension	720*720*310mm(W*D*H)	Power Supply	110/220V±10%, 50/60Hz
Filter	Active carbon filter	Features:	Equipped with remote control
Consumption	105W		Adjustable airflow velocity
Net Weight	36 lbs		Blower: Time reserve function